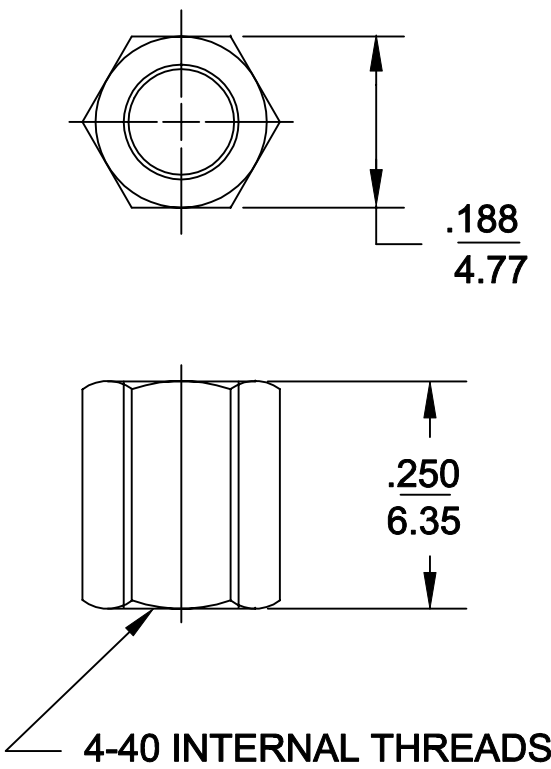


DESCRIPTION: 4-40 FEMALE COUPLING NUT




160-000-006-042

MATERIAL: BRASS - YELLOW CHROMATE PLATED

160-000-006-032

MATERIAL: BRASS - NICKEL PLATED

	THESE DRAWINGS AND SPECIFICATIONS ARE THE PROPERTY OF NorComp AND SHALL NOT BE REPRODUCED, COPIED OR USED AS THE BASIS FOR THE MANUFACTURE OF SALE OF APPARATUS WITHOUT WRITTEN PERMISSION.		DRAWN: WAYNE ROBBINS	DATE: 8-23-98
			CHECKED: PAM JENKINS	DATE: 8-24-98
NorComp		SCALE:	SHEET 1 OF 1	REV 1
		DWG NO. 160-000-006-0X2		